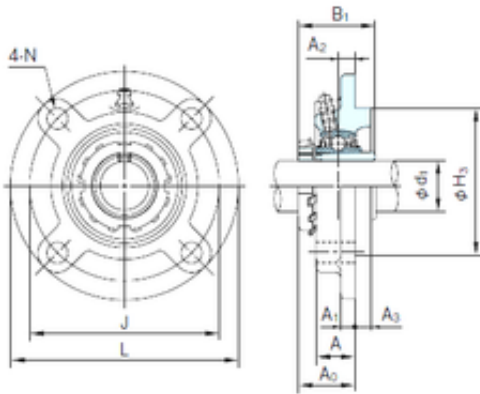




NACHI UKFCX08+H2308 bearing units



Bearing No. UKFCX08+H2308

Bore Diameter	35 mm
d1	35 mm
H3	92 mm
A0	34 mm
A	26 mm
A1	11 mm
B1	46 mm
J	111 mm
L	133 mm
N	12 mm
Bolt (G)	M10
A2	9 mm
A3	11 mm

UKFCX08+H2308 Bearing 2D drawings and 3D CAD models